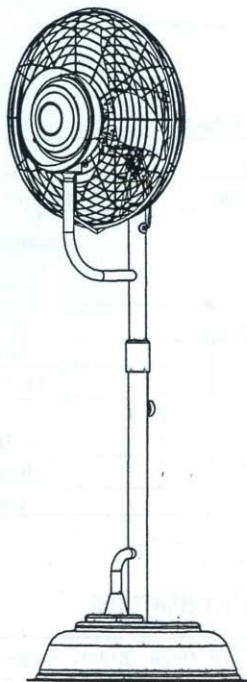


Deton[®]

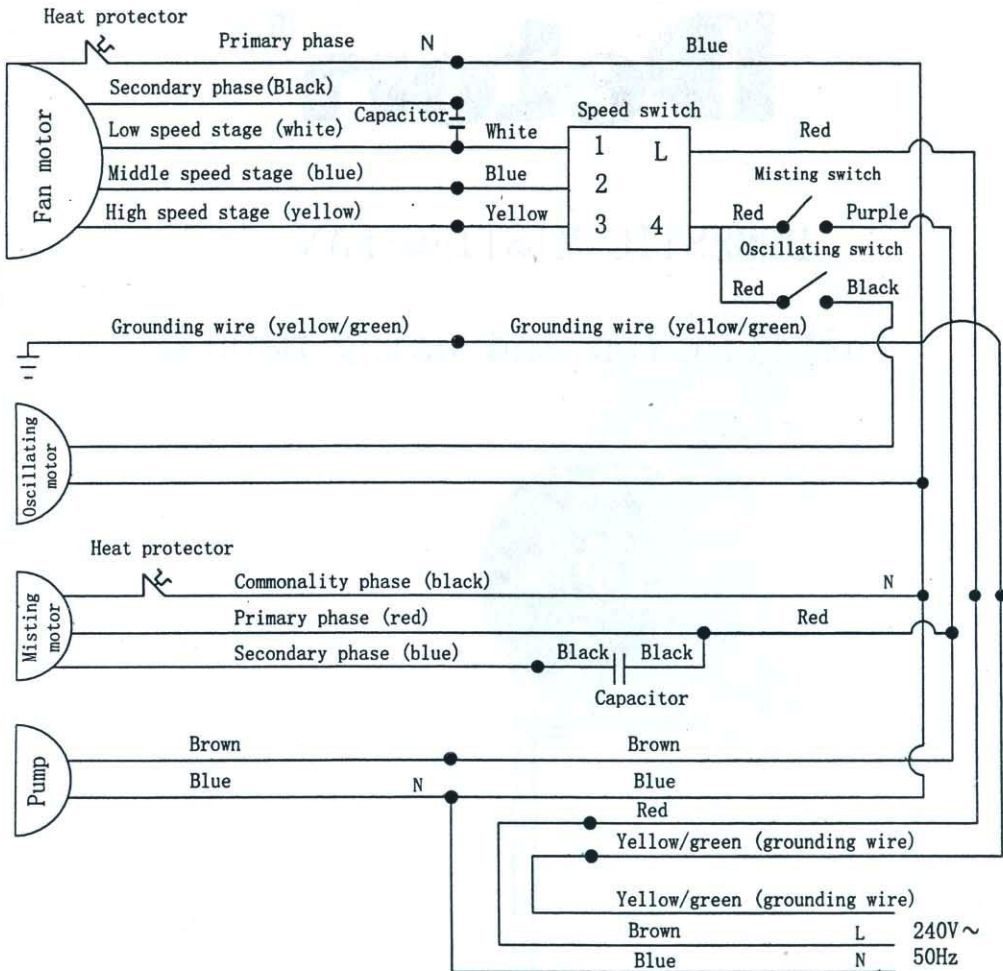
Mist Cooler 18" (MFS-18)

Installation and using manual



Please read user manual particularly before using the fan.

Wiring diagram



Parameter

Parameter	Item	1 Stage (low stage)				2 Stage (Middle stage)				3 Stage (High stage)				Misting volume (Max) L/h
		Speed rpm	Air volume m ³ /min	Noise dB	Power W	Speed rpm	Air volume m ³ /min	Noise dB	Power W	Speed rpm	Air volume m ³ /min	Noise dB	Power W	
Model		700	43	48	90	1100	67	50	95	1380	84	55	125	1.5

Remark: Excuse for not inform any parameter updating.

Features and usage

1. Fan adopts CAD three-dimensional design, nice and decent.
2. Fan misting system by centrifugal style design, no need nozzles and filter water, reasonable structure, easy to maintain.
3. Fan surface is anticorrosive, durable and safety.
4. Misting and blowy by different motor, adopt good quality rolled bearing, steady performance, low temperature-rising, long-life, low noise, maintain. overload ability.
5. Good misting effect, can adjust misting flow, pump adopt full insulated seal protect structure, safe to use.
6. Fan with oscillating setting, blowy angle changeable, convenient to use, suitable for cooling, get rid of dust and peculiar smell for home, factory, uptown, store, playground etc.

Using guide

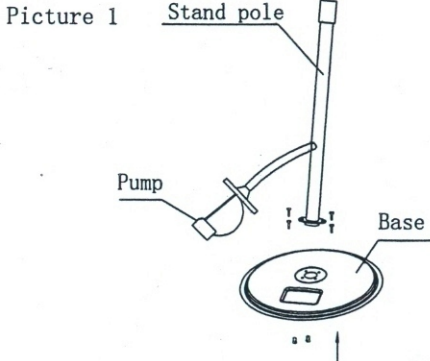
1. Fan should be used under voltage and frequency as nameplate rating, can't be used in corrosive environment.
2. Fan should be used under height above sea level as 1000m, environment temperature below 40°C
3. If fan power supplied by socket, should meet IEC335-1 standard. If by wire supply directly, should set full-pole switch distant **not below** 3mm among the fixed wires.
4. The back of fan motor cover with three switches, one is **speed switch**, control fan motor's high, middle and low stage. **Second** is **misting switch**, control misting motor and pump. Third one is oscillating switch, control fan oscillating. The misting switch and **oscillating switch** will be work only after speed switch turn on.
5. Fan under misting work style, misting flow can do nonpolar **adjustment** between "OFF" and "ON".
6. Fan being used by misting style, should fill enough water **in tank**. If tank is full, can keep operating at maximum flow by **6 hours**, please refill water when water is not enough.
7. When tank needs to clean, open tank cover, take out the pump, then remove the tank from the base to clean.
8. Should clean tank before using every time, take out pump before cleaning.

Installation sketch map

Please refer to installation sketch map when assembling the fan, please check parts carefully, avoid lack of quantity or damage during transportation. During installation, please take care of parts to avoid damage.

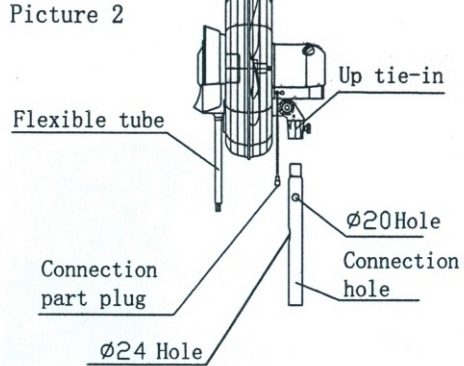
1. Assemble stand pole

Take down four M6X16 bolts, gaskets, nuts from base, put the stand pole on base, aim at the four holes, through stand pole, base from up to down by four M6X16 bolts, fix on the base by gaskets, nuts. Refer to picture 1.



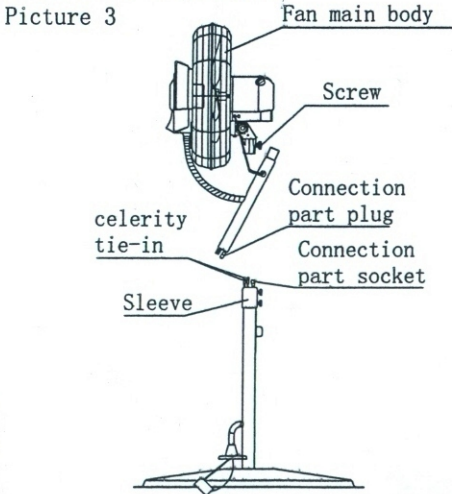
2. Pull water hose, connection parts

Through the plug and wire to the $\varnothing 20$ hole of connection pole, through 6, 8 hose together with flexible tube to the underside of $\varnothing 24$ hole of connection pole. Refer to picture 2.



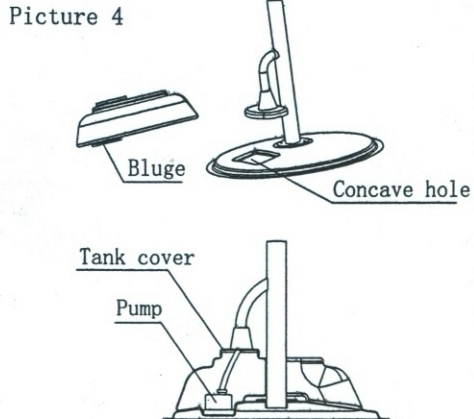
3. Connection for waterway and circuit

Put stand pole, fan main body, and connection pole on the ground, connect the hose and celerity tie-in, joint insert parts well, lay in connection pole to sleeve, tighten the M6 bolt. Then put the fan main body into connection pole, tighten screw. Refer to picture 3.



4. Assemble tank

Aim at the bulge at bottom of tank to the concave hole of base, put the tank on base, then put pump and its cover panel into the concave hole in tank, lid cover. Refer to picture 4.



5. Misting inspection

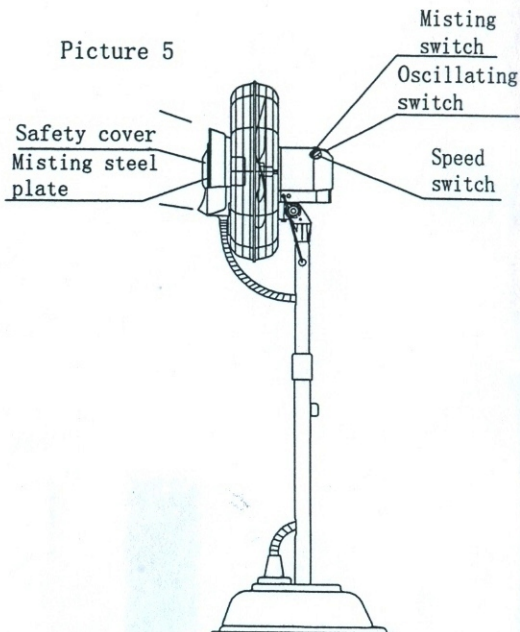
a. Fill proper water, lid tank cover.
b. Turn ball valve from "on" to "off", connect power, turn on the speed switch, fan motor and blade will running, check if it's normal.

c. Press on misting button, let misting motor, pump operating, then if misting motor, misting plate, pump if normal or not.

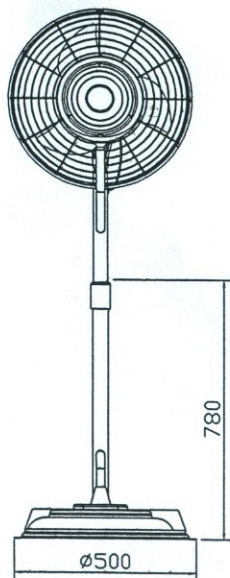
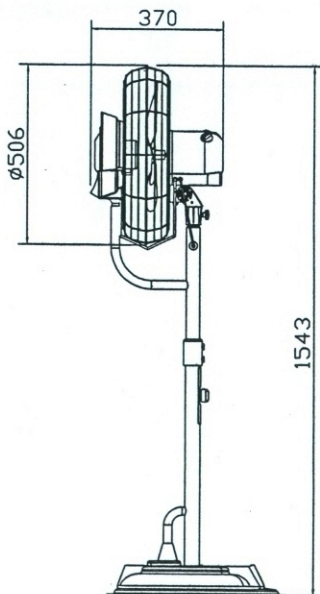
d. Turn the ball valve from "off" to "on", check misting situation.

f. If fan needs to oscillate, press on the oscillating switch at back of fan motor. Refer to picture 5.

Picture 5



Outer dimension



Maintenance

1. For keeping fan clean and nice, durable, should clean it regularly.
2. When cleaning fan, should cut off power supply first, blade stop running, open guard button and loosen screw, then take apart front guard and blade, wipe by soft cloth or wet with little cleansing liquid.
3. Please don't let water fill in motor and electricity parts, don't touch blade or change its angle.
4. For keeping the water in tank clean, please clean the water tank and water receiving plate regularly.
5. If fan is not used for long time, should clean and try it, then seal up for keeping in bag.

Remark

1. When opening carton box, must take out its main part carefully.
2. Forbid to insert finger or any other thing into guard or misting plate when fan is running.
3. Up-down angle should be used under the stated range.
4. Don't put the fan near curtain, drape etc., such material easy to be suction material. Or unbalanced place.
5. Exposed child, old man and weak people can't blow continuously.
6. If wire damaged, should replace by manufacturer or stated service shop as need particular tools.
7. If fan has noise, raise fume or blade not running etc abnormal problems, should cut off power supply immediately, send back to our factory, or ask professional people to maintain.
8. Except maintaince range stated by this manual, nonprofessional people can't knock down, repair or alter it.
9. When using the fan, please take away close dampproof goods, avoid be damped.