



N Series

友力仕 電動鏈條吊車

UELLEX
ELECTRIC CHAIN HOIST



Capacity:
1(NL),1(NH).ton



Capacity:
2(NL),2(NH).ton



Capacity:
3(NL),3(NH).ton

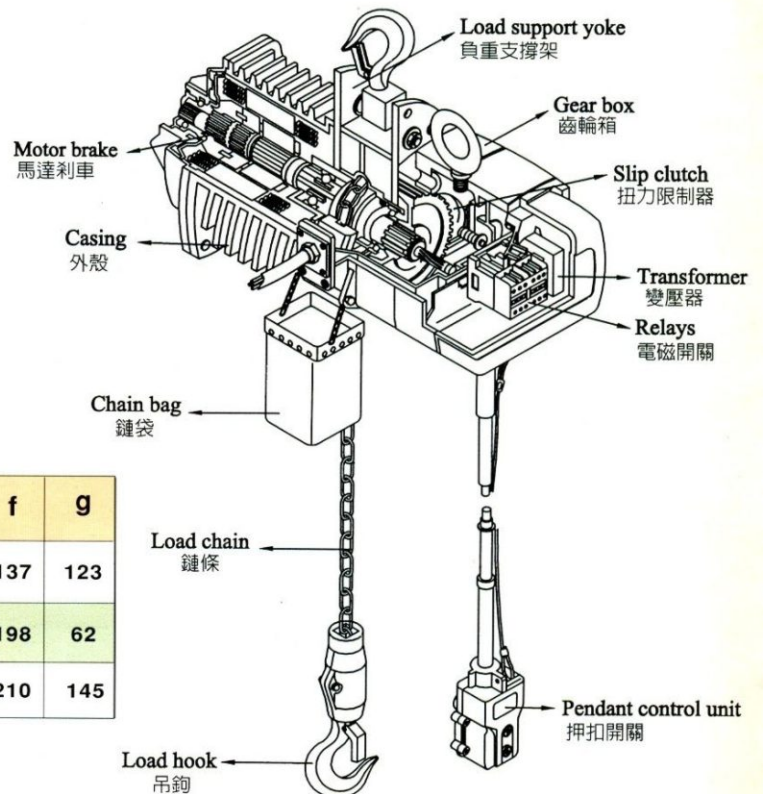
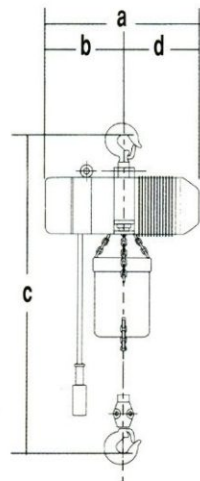
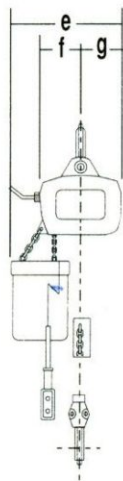
Stock Code:-
881001002 - US010E
881001004 - US010N-L
881001005 - US020N-L
881001006 - US030N-L

明細表

SPECIFICATIONS:

荷重 Nominal Capacity (m.ton)	型號 Model 單速 Single Speed	每分吊昇速度 Lifting Speed (m/min)	50HZ		60HZ		馬力 Lifting Motor (KW)	電源 Power Supply	額定 Duty Rating%	鏈條 吊數 Load Chain Fall Lines	單速 Single Speed		裝箱 尺寸 Packing LXWXH(CM)	材積 Msmnt
			單速 Single Speed	單速 Single Speed	單速 Single Speed	單速 Single Speed					淨重 N.W.kg	毛重 G.W.kg		
1-NL	US0100NL	4.7	5.6	1.0	(3Phase) 220V-600V 50HZ 60HZ	45	1	52.5	58.5	62X44X41	4			
1-NH	US0100NH	6.7	8.0	1.5			1	54.5	60.5	62X44X41	4			
2-NL	US0200NL	2.8	2.8	1.0			2	63	69	62X44X41	4			
2-NH	US0200NH	3.3	4.0	1.5			2	65.5	71.5	62X44X41	4			
3-NL	US0300NL	1.8	1.8	1.0			3	77	90	63X43X58	6			
3-NH	US0300NH	2.3	2.6	1.5			3	79	92	63X43X58	6			

電動鏈條吊車結構
Electric Chain Hoist Structure



規格尺寸

DIMENSIONS(mm)

Nominal Capacity (m.ton)	Model	Min Distance Between Hooks: C	a	b	d	e	f	g
1-NL	US0100NL	460	530	260	270	350	137	123
1-NH	US0100NH							
2-NL	US0200NL	630	530	260	270	350	198	62
2-NH	US0200NH							
3-NL	US0300NL	700	530	260	270	370	210	145
3-NH	US0300NH							

***Product's specification may subject to change without further notice.
***Actual product may slightly differ from pictures shown.

一. 馬達剎車：利用磁力產生器（新型專利第45572號）之磁力於電源切斷時，能迅速產生剎車作用，構造簡易，可長時間使用。

MOTOR BRAKE

Fast-acting magnetic brake (ROC New Design Patent No.45572) cuts in when power supply is interrupted.

二. 扭力限制器：具有超負載裝置，可調整吊重負荷量，及上下止動措施，唯調整時須經專業人員處理。

SLIP CLUTCH

Equipped with over-load device, adjustable for loading and against upward and downward movements. The adjustment is done by technician only.

三. 外殼：鋁合金馬達外殼，質輕、散熱性佳，可連續使用30分鐘，整體密閉式設計，可使用於鑄造廠、電鍍等地方。

HOUSING

The aluminum alloy motor housing is light in weight and provides good heat dissipation, allowing up to 30 minutes continuous duty. Fully-enclosed design, suitable for applications in foundries, electro-plating factories, etc...

四. 上吊鉤至下吊鉤之距離較短。

DISTANCE BETWEEN UPPER HANGER AND LOWER HANGER IS SHORTER

五. 48V降壓裝置：在操作時萬一開關漏電，可防止意外事故發生。

48V CONTROLLER VOLTAGE

Prevents injury in the event of current leakage from push-button control unit.

六. 零件簡易少維修。

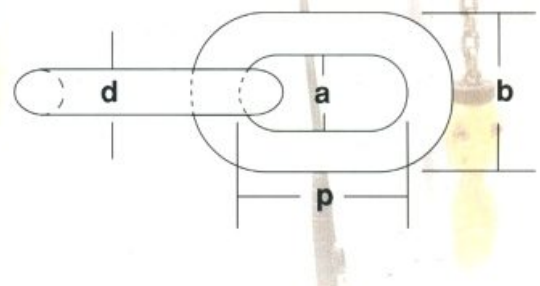
SIMPLE PARTS AND LESS MAINTENANCE.

七. 鏈條採用進口 FEC80 超級強力熱處理合金鋼鏈條。

CHAIN

Japan-made FEC 80 super alloy steel, heat-treated chain is suitable for applications in harsh operating environments.

荷重	型號	直徑	內寬	外寬	內長	每米重量	使用荷重	安全荷重	破壞荷重
Hoist Capacity (m.ton)	Model	d Trade Size(mm)	a Inside Width(mm)	b Outside Width(mm)	p Inside Length(mm)	Weight Per Meter kg a/m	Working Load Limit (kg f)	Proof Load (kg f)	Breaking Load (kg f)
1-NL	US0100NL	7.1	8.9	23.6	21.0	1.1	1600	3150	6300
1-NH	US0100NH								
2-NL	US0200NL								
2-NH	US0200NH								
3-NL	US0300NL								
3-NH	US0300NH								

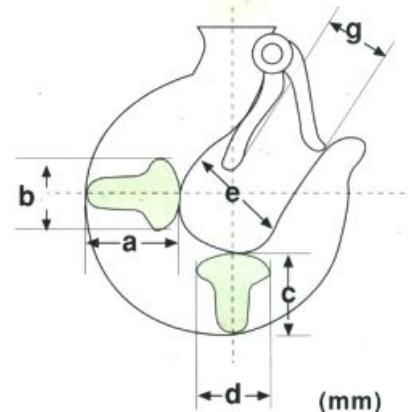


八. 吊鉤：經熱鍛造，強韌度極佳，下吊鉤可旋轉 360 度並附安全舌片，確保安全。

HOOKS:

Hot forged, excellent strength and toughness. Bottom hook swivels through 360 degrees. Safety catches on top and bottom hooks.

荷重	T _B	a	b	c	d	e	g
Capacity (m.ton)							
1/2,1	T&B	36.5	22.5	31	22.5	40	28
2	T&B	47.5	29	40	24	47.5	37
3	T&B	55	35.5	47.5	35	60	44



上吊鉤：T...TOP HOOK 下吊鉤：B...BOTTOM HOOK