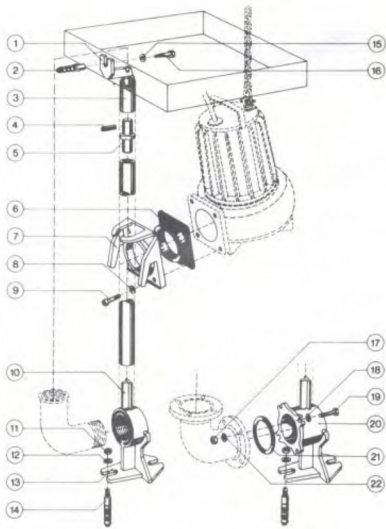


ASB

Submersible pump

Stock Code :
 AS55-2CB - 881208008
 AS75-2CB - 881208009

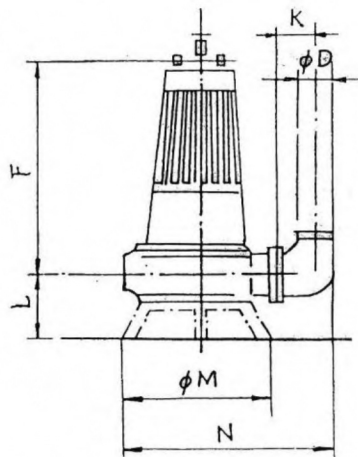
ABS submersible pumps with cb (contra block) system for eliminating domestic sewage and heavily polluted industrially waste water.



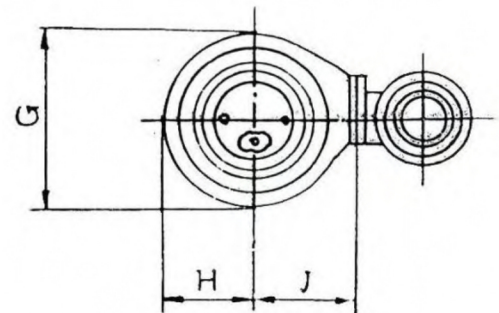
1. Pipe Retainer
2. Masonry Plug
3. Guide Rail
4. Dowel
5. Guide Rail Connection Piece
(only necessary where guide rail length exceeds 6 metres)
6. Profile Gasket
7. Bracket
8. Spring Washers
9. Allen Screws
10. Locating Guide
11. Nut
12. Washer
13. Pedestal
14. Foundation Bolt
15. Washer
16. Hex fixing screw
17. Nut
18. Washer
19. Bolt
20. Pedestal
21. Gasket
22. Spring Washers



Model	AS55-2CB	AS75-2CB
Output Flow	45 m ³ /h	60 m ³ /h
Head	13 m	18 m
Power	5.5 kW	7.5 kW
Voltage	415V / 50Hz	
Speed	2900 rpm	
Auto Coupling	100 GAK	100 GAK
Weight	165 kg	185 kg



Dimension :



Model	D	F	G	H	J	K	L	M	N
AS55-2CB	127	630	350	175	240	160	310	450	688
AS75-2CB	127	630	350	175	240	160	310	450	688

*** Product's specification subject to change without further notice.
 *** Actual product may slightly differ from pictures shown.

ESM034-AS
 (07/10/19)